

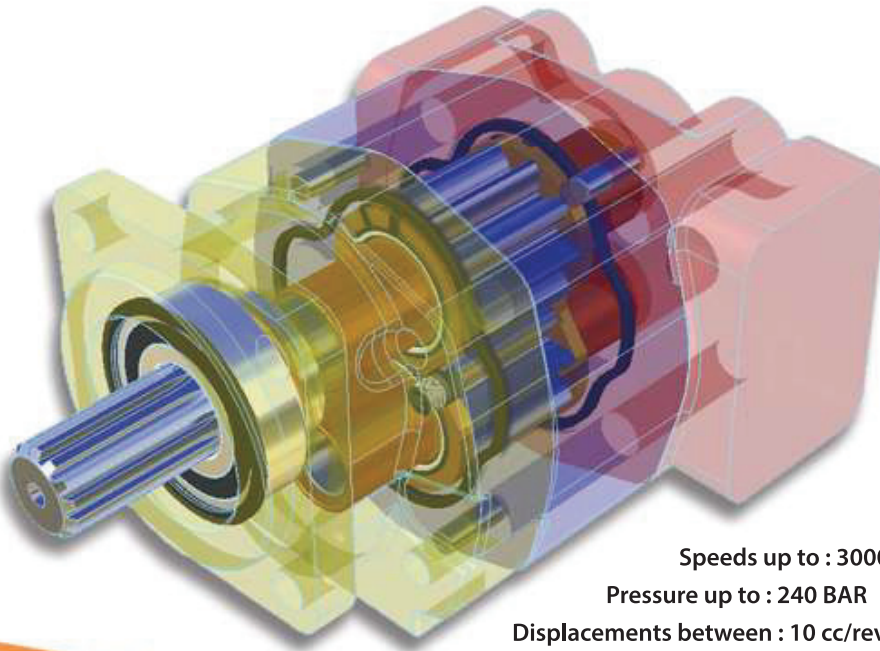


GEAR PUMP MANUFACTURING

Getting the World into Gear

Bushing Range

SERIES: 215; 230; 250; 265



HYDRAULIC:

- PUMPS
- MOTORS
- FLOW DIVIDERS
- ADD-A-PUMPS
- STEP DOWN PUMPS
- SPARE PARTS

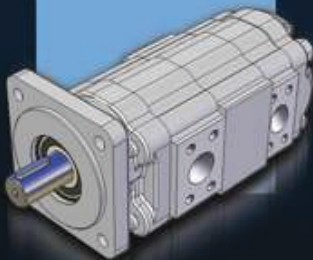
Speeds up to : 3000 RPM

Pressure up to : 240 BAR

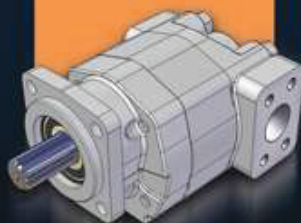
Displacements between : 10 cc/rev - 147 cc/rev

Complete product range:

BEARING PUMPS



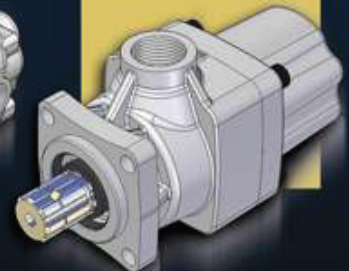
BUSHING PUMPS



PTO GEAR PUMPS

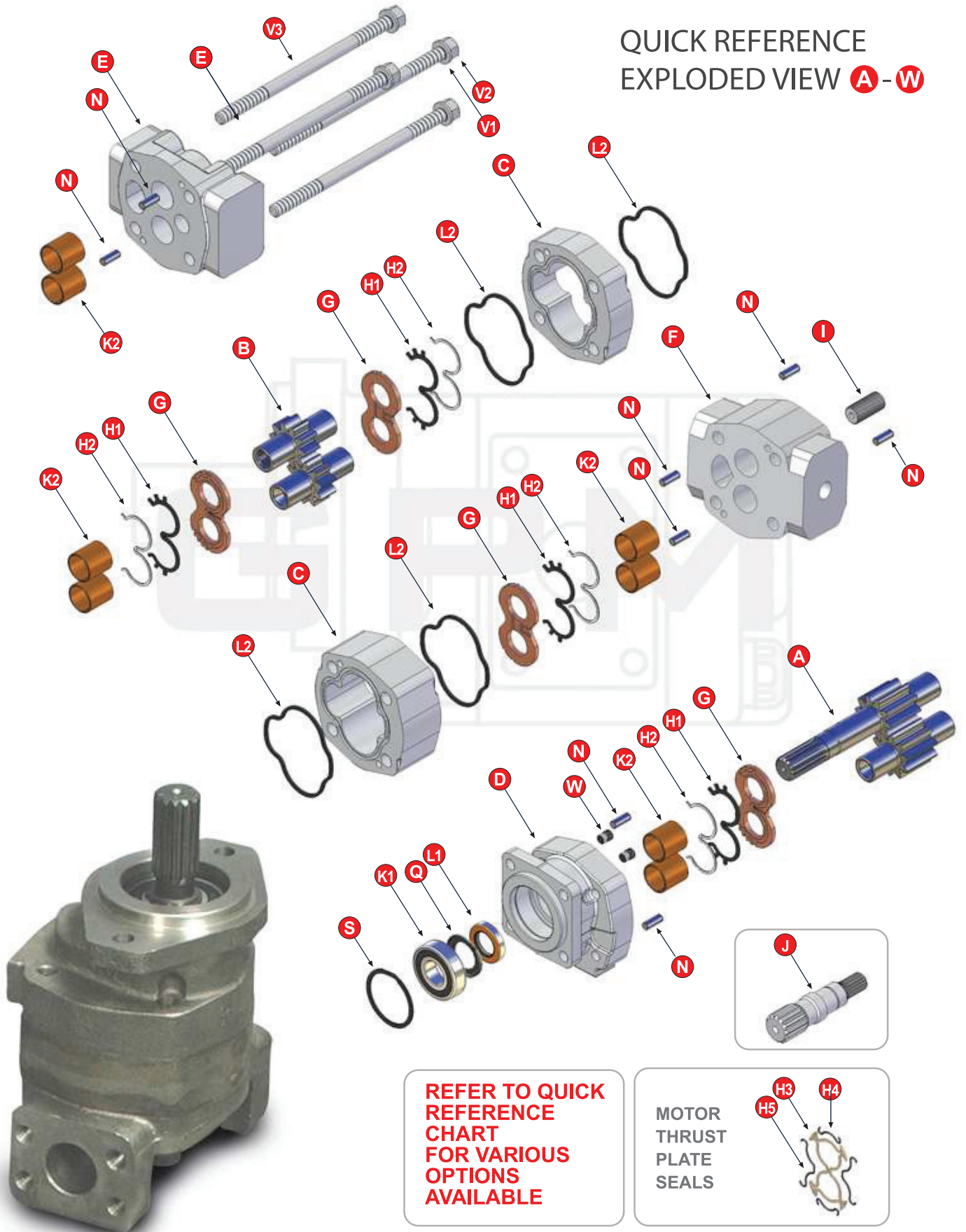


PTO PISTON PUMPS



Bushing Range

QUICK REFERENCE EXPLODED VIEW A - W



**REFER TO QUICK
REFERENCE
CHART
FOR VARIOUS
OPTIONS
AVAILABLE**

**MOTOR
THRUST
PLATE
SEALS**

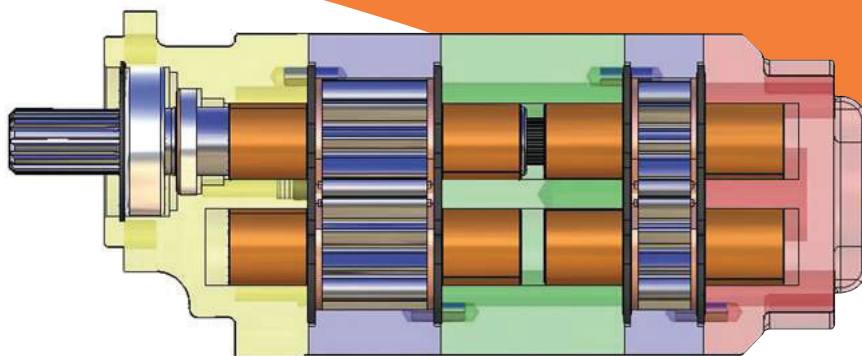
All product listed herein is product manufactured and/or supplied by Gear Pump Manufacturing (Pty) Limited (GPM), a South African manufacturer and supplier of replacement parts and components.
 "Commercial Intertech" is a registered trademark or copyright of the Parker Hannifin Corporation (Parker). Any reference to this entity, its trademark, copyright, product or reference number, is for product comparison and reference purposes only and as such, any referral thereto, should not be construed as implying in any way that Parker product is manufactured or supplied by GPM or that GPM is in any way associated with Parker.

Copyright © 2015 Gear Pump Manufacturing (Pty) Limited. All Rights Reserved. No part of this document may be reproduced in any form or manner without permission.

SABS
ISO 9001

Manufactured in South Africa

PUMP & MOTOR SPECIFICATIONS



Manufactured in South Africa

		CODE								
		-05	-07	-10	-12	-15	-17	-20	-22	-25
DASH SIZE GEAR WIDTH		0.50"(1/2")	0.75"(3/4")	1.00"(1")	1.25"(1 1/4")	1.50"(1 1/2")	1.75"(1 3/4")	2.00"(2")	2.25"(2 1/4")	2.50"(2 1/2")
215	Gear Housing Width	0.88"(7/8")	1.13"(11/8")	1.38"(13/8")	1.63"(15/8")	1.88"(17/8")	2.13"(21/8")	2.38"(23/8")		
	cc/rev	10.00	15.00	20.00	25.00	30.00	35.00	40.00		
	Lpm (at 1000rpm)	10.00	15.00	20.00	25.00	30.00	35.00	40.00		
	cu in (cu in/rev)	0.61	0.92	1.22	1.59	1.84	2.15	2.44		
	US gpm (at 1000rpm)	4.23	6.37	8.51	10.65	12.76	14.90	17.04		
	Max Pressure (bar)	240	240	240	240	220	200	170		
	Max Pressure (psi)	3500	3500	3500	3500	3200	2900	2500		
	Max Speed (rpm)	3000	3000	3000	3000	3000	3000	3000		
	Pump Weight (kg)	8.00	8.00	8.00	8.50	9.00	9.50	10.00		
Additional sect add (kg)	8.00	8.00	8.00	8.50	9.00	9.50	10.00			
230	Gear Housing Width	1.00"(1")	1.25"(1 1/4")	1.50"(1 1/2")	1.75"(1 3/4")	2.00"(2")	2.25"(2 1/4")	2.50"(2 1/2")		
	cc/rev	16.00	24.10	32.20	40.30	48.30	56.40	64.50		
	Lpm (at 1000rpm)	16.00	24.10	32.20	40.30	48.30	56.40	64.50		
	cu in (cu in/rev)	0.99	1.48	1.97	2.46	2.96	3.45	3.94		
	US gpm (at 1000rpm)	4.23	6.37	8.51	10.65	12.76	14.90	17.04		
	Max Pressure (bar)	240	240	240	240	240	220	200		
	Max Pressure (psi)	3500	3500	3500	3500	3200	2900	2500		
	Max Speed (rpm)	3000	3000	3000	3000	3000	3000	3000		
	Pump Weight (kg)	16.00	16.00	16.00	16.60	17.20	17.80	18.40		
Additional sect add (kg)	14.40	14.40	14.40	14.90	15.50	16.00	16.60			
250	Gear Housing Width	1.00"(1")	1.25"(1 1/4")	1.50"(1 1/2")	1.75"(1 3/4")	2.00"(2")	2.25"(2 1/4")	2.50"(2 1/2")	2.75"(2 3/4")	3.00"(3")
	cc/rev	20.80	31.20	41.70	52.10	62.60	73.00	83.50	94.00	104.40
	Lpm (at 1000rpm)	20.80	31.20	41.70	52.10	62.60	73.00	83.50	94.00	104.40
	cu in (cu in/rev)	1.28	1.91	2.55	3.19	3.82	4.46	5.10	5.74	6.38
	US gpm (at 1000rpm)	5.50	8.24	11.02	13.76	16.54	19.29	22.06	24.84	27.58
	Max Pressure (bar)	240	240	240	240	240	220	200	190	170
	Max Pressure (psi)	3500	3500	3500	3500	3500	3250	3000	2750	2500
	Max Speed (rpm)	2400	2400	2400	2400	2400	2400	2400	2400	2400
	Pump Weight (kg)	22.70	22.70	22.70	23.40	24.10	24.80	25.50	26.20	26.90
Additional sect add (kg)	22.70	22.70	22.70	23.40	24.10	24.80	25.50	26.20	26.90	
265	Gear Housing Width		1.25"(1 1/4")	1.50"(1 1/2")	1.75"(1 3/4")	2.00"(2")	2.25"(2 1/4")	2.50"(2 1/2")	2.75"(2 3/4")	3.00"(3")
	cc/rev		44.00	59.00	73.50	88.00	102.00	118.00	132.60	147.00
	Lpm (at 1000rpm)		44.00	59.00	73.50	88.00	102.00	118.00	132.60	147.00
	cu in (cu in/rev)		2.68	3.60	4.49	5.37	6.22	7.20	8.09	8.97
	US gpm (at 1000rpm)		11.62	15.59	19.42	23.25	26.95	31.18	35.03	38.84
	Max Pressure (bar)		240	240	240	240	240	240	220	200
	Max Pressure (psi)		3500	3500	3500	3500	3500	3500	3250	3000
	Max Speed (rpm)		2400	2400	2400	2400	2400	2400	2400	2400
	Pump Weight (kg)		24.90	24.90	26.00	27.10	28.20	29.30	30.40	31.50
Additional sect add (kg)		22.70	22.70	23.40	24.10	24.80	25.50	26.20	26.90	

THE ABOVE DATA ARE AVERAGE RESULTS BASED ON A SERIES OF TESTS AND ARE NOT NECESSARILY REPRESENTATIVE OF ANY SINGLE UNIT. GEAR PUMP MANUFACTURING RESERVES THE RIGHT TO AMEND THE TECHNICAL DATA WITHOUT NOTICE.

Useful Formulae	To Convert	Inches	Bar	Cu in/rev	US GPM	US GPM	kg
	Into	Millimeters	Psi	cc/rev	Cu In/rev	cc/rev	lbs
	Multiply by	25.4	14.5	16.39	2.31	3.785	2.205

GP = PUMP
GM = MOTOR
GF = FLOW DIVIDER
GA = ADD-A-PUMP
GB = STEP DOWN
GZ = PUMP / MOTOR COMBO